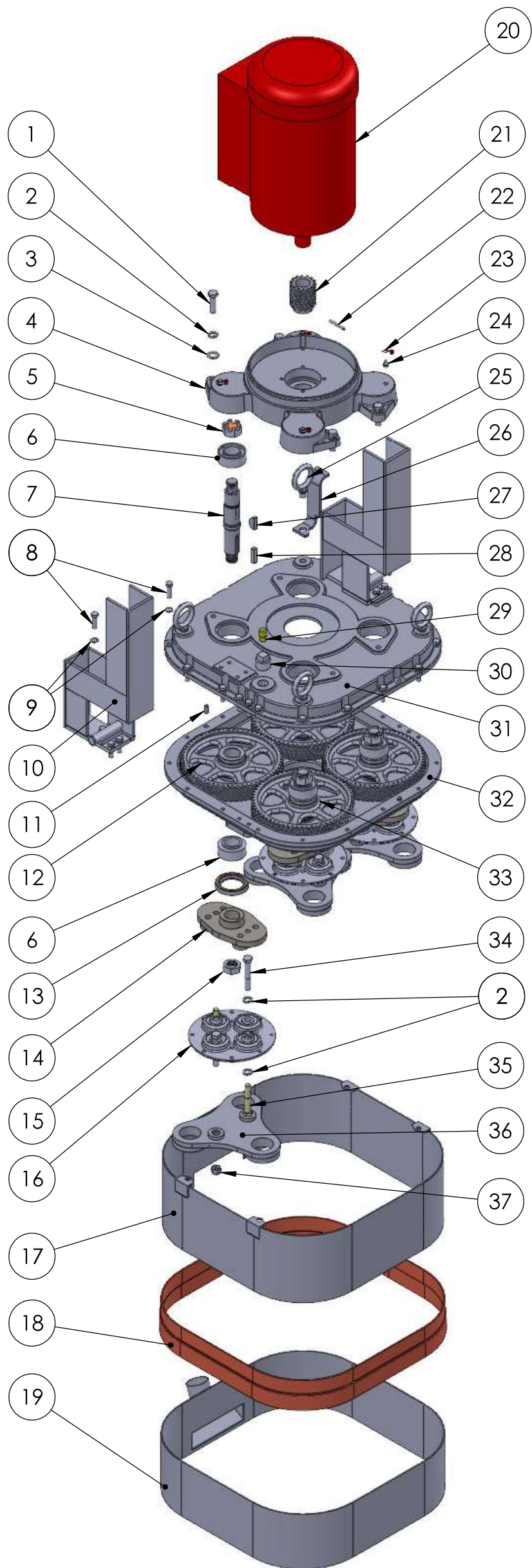


7500 Parts List (Gear Case)



ITEM NO.	PART NUMBER	DESCRIPTION	QTY.
1	T2006	1/2-13 X 1-3/4 LG HEX HEAD CAPSCREW	4
2	T1012	1/2" LOCK WASHER MEDIUM	20
3	T2027	1/2" FLAT WASHER, ZINC PLATED	4
4	X-03C	MOTOR MOUNT FOR 7500	1
5	T2008	STOP NUT 1"-14 JAM	4
6	X-09, X-10	BEARING CONE & CUP	8
7	X-05	DRIVE SHAFT	4
8	T1025	3/8-16 X 1-1/4 LG HEX HEAD CAPSCREW	28
9	T1022	3/8 MEDIUM LOCKWASHER	28
10	X-120R/L	WEIGHT BASKETS (R/L)	1 ea.
11	LW 064	DOWEL PIN 3/8" DIA X 3/4" LONG	2
12	X-04L	HELICAL GEAR, LH	2
13	X-19	GREASE SEAL	4
14	SM 501-STEEL	DRIVE PLATE	4
15	T 2008	LOCK NUT	4
16	SM 088	COUPLING	4
17	X-14	STATIONARY GUARD	1
18	X-29	RUBBER DUST SEAL	1
19	X-18	ADJUSTABLE SPLASH GUARD	1
20	X-73-SLOW	7.5 HP, 1 PH, 230 V, 60 Hz MOTOR 1	1
21	X-07	PINION	1
22	X-33	ROLL PIN, 1/4X1-3/4	1
23	T1065	LUBRICAP	4
24	000170	GREASE FITTING 1/8" NPT STRAIGHT	4
25	X-16	LIFTING RING	4
26	X-13	STOP BRACKET	1
27	T2012	WOODRUFF KEY	4
28	SM 072	HELICAL GEAR KEY	4
29	DS 184	BREATHER CAP	1
30	T2011	1" SW PLUG PIPE SCREW	1
31	X-01	GEAR CASE COVER, TOP	1
32	X-02	GEAR CASE COVER, BOTTOM	1
33	X-04R	HELICAL GEAR, RH	2
34	T2021	HEX HEAD CAPSCREW 1/2-13 X 3" LG	8
35	SM 171	MORFLEX COUPLING BOLT, ADV. J27B	8
36	FL 004CX-6	PLUG STONE HOLDER, 7500	4
—	X-119	SPEED SHIFT PLATE, 7500	4
37	X-32	1/2-13 LOCKNUT	8

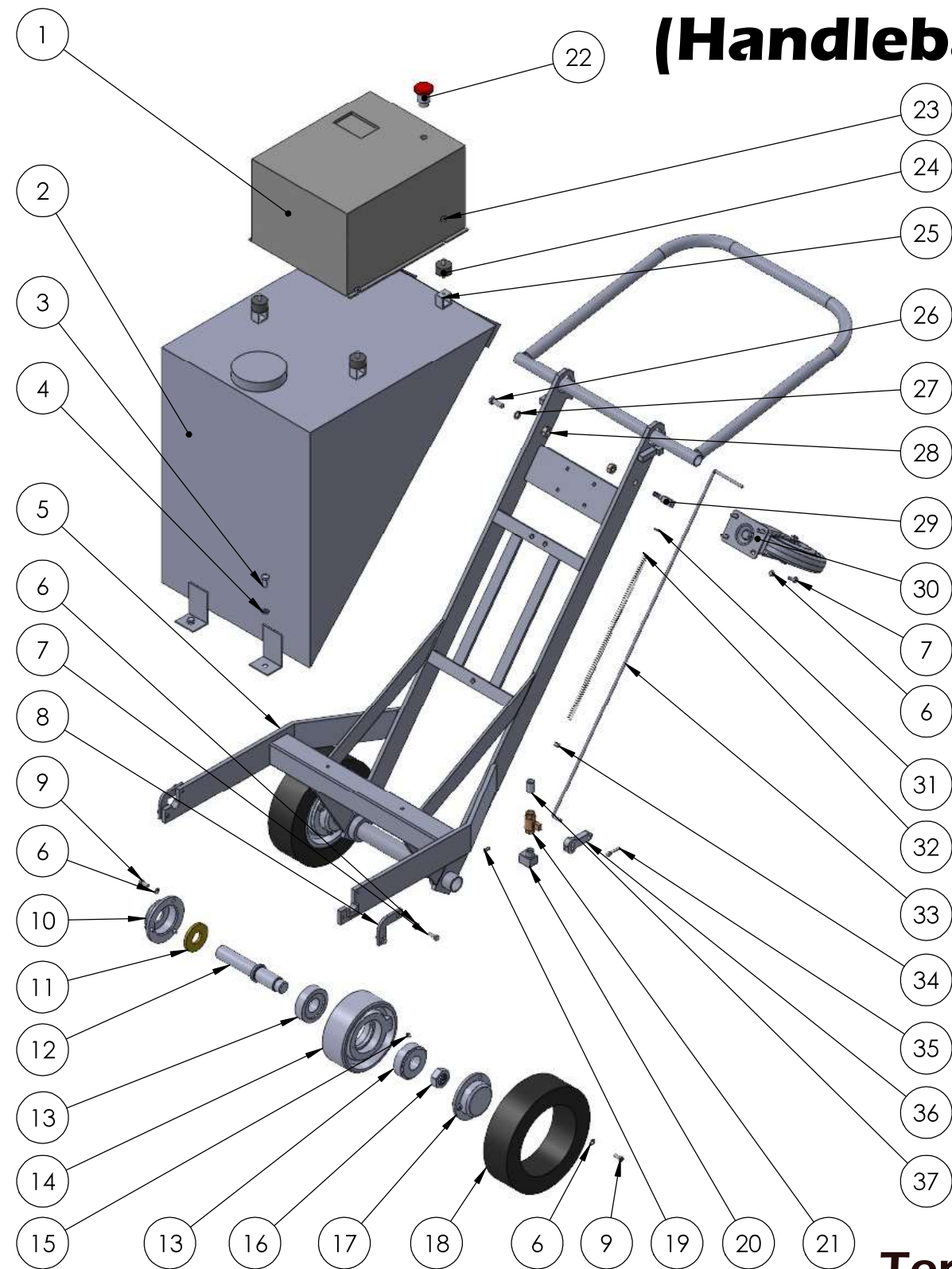
	FE 502	CORD GRIP .688-.812	2
	FE 504	1-1/4 NPT LOCK NUT	2
	FE 505	V-RING FLINGER	2
	FE 508	PIN AND SLEEVE PLUG - 60A, 2P3W, 250V	4
	FE 509	PIN AND SLEEVE CONNECTOR - 60A, 2P3W, 250V	2
	SM 173	36" WATER HOSE	1
	T2146	#8-4 WIRE CABLE	8
	X-78	PIN, SPLASH GUARD ADJUSTABLE	2
	X-79	STRAP, SPLASH GUARD	2
	X-87	CLIP, HITCH PIN	2
	X-90	1" LOCKNUT	1



Terrco® Inc.
 222 1st Avenue NW • Watertown, SD 57201
 Phone: (605) 882-3888 • Fax: (605) 882-0778
 Website: www.terrco.com • Email: info@terrco.com



7500 Parts List (Handlebar Assembly)



ITEM NO.	PART NUMBER	DESCRIPTION	QTY.
1	FE 491	YASKAWA 230 VOLT, 56 AMP	1
2	X-30-SS	WATER TANK- STAINLESS STEEL	1
3	T2130	5/16-18 X5/8 LG SOCKET HEAD CAPSCREW	2
4	T1007	LOCK WASHER	2
5	X-20	HANDLE ASSEMBLY	1
6	T1030	LOCK WASHER	8
7	T1031	1/4-20 X 3/4 LG HEX HEAD CAPSCREW	8
8	X-22	PIVOT CLAMP	2
9	AH 017	1/4-20 X 5/8 LG FILLISTER HEAD	1
10	SM 009	INNER BEARING CAP	2
11	SM 012	TRUCK WHEEL FELT WASHER	2
12	SM 011	TRUCK WHEEL SHAFT	2
13	SM 069, SM 070	BEARING CONE & CUP	4
14	SM 008	TRUCK WHEEL HUB	2
15	AH 026	GREASE FITTING 1/4-28 STRAIGHT	2
16	T2008	LOCK NUT	2
17	SM 010	OUTER BEARING CAP	2
18	SM 068	TRUCK WHEEL TIRE	2
19	T3007	1/4-20 X 1-2 LG SOCKET SET SCREW	2
20	LW 042	STREET ELL	1
21	SM 174	WATER TANK VALVE	1
22	LW 076	EMERGENCY STOP SWITCH ASSEMBLY	1
23	T2003	HEX HEAD NUT 1/4-20	4
24	FE 251	VIBRATION MOUNT	4
25	X-84	MOUNTING CLIP, SWITCHBOX	4
26	T2013	3/8-16 X 1" LG HEX HEAD CAPSCREW	1
27	T1022	3/8 MEDIUM LOCKWASHER	1
28	T1026	3/8-16 HEX NUT, FULL	2
29	X-68	WATER HANDLE GUIDE FOR 7500	1
30	HB 088A	CASTER WHEEL	1
31	T2054	1/4" SAE FLAT WASHER	1
32	SM 182	HANDLE SPRING, COMPRESSION	1
33	X-31	WATER TANK HANDLE - 7500	1
34	SM 186	HANDLE SPACER COLLAR	1
35	T2082	COTTER PIN, 1/4 X 2 1/2	1
36	SM 170X	LEVER, WATER VALVE FOR 7500	1
37	SM 175	VALVE STEM	1



Terrco® Inc.

222 1st Avenue NW • Watertown, SD 57201

Phone: (605) 882-3888 • Fax: (605) 882-0778

Website: www.terrco.com • Email: info@terrco.com

